

Kidde Fire Systems

HPCO₂ Component Description

Discharge Horn & Shut-off Valve



Effective: June 2020
K-81-1210 Rev AC

FEATURES

- *UL Listed for HPCO₂ Service*
- *Lightweight Materials*
- *Convenient Throttle Style Grip*

DESCRIPTION

The Discharge Horn & Shut-off Valve (horn valve) is a hand-held assembly consisting of a manually operated valve and integrated horn, which acts as the discharge outlet diffusing the flow of carbon dioxide. When not in use, the horn valve is secured by the wall mounted Horn Clip and Handle Clip. The operator aims the horn valve with one hand on the insulated grip and the other on the valve handle. Simply pushing forward on the valve handle will discharge diffused liquid CO₂ at the fire.

SPECIFICATIONS

Pressure, Max: 2300-psi (158-bar)
 Temperature, Min: 0°F (-17°C)
 Temperature, Max: 130°F (55°C)

MATERIALS

Valve: Brass, Plated
 Throat: Brass
 Handle: Vinyl
 Horn: High Density Polyethylene

REFERENCED COMPONENTS

| Description | Reference Data Sheet |
|---------------------|----------------------|
| Hose Line | K-81-1209 |
| Clips, Horn & Valve | K-81-1220 |

ORDERING INFORMATION

| Description | Part Number |
|--|----------------|
| Discharge Horn & Shut-Off Valve Assembly, 3/4" NPT | 81- 980564-000 |

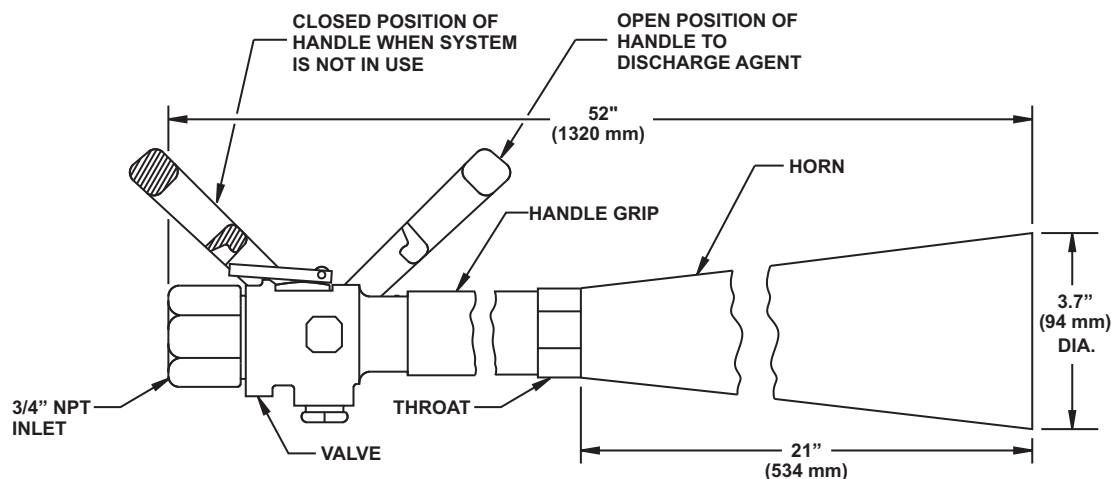


Figure 1. Playpipe, Hose Line

EXPORT INFORMATION (USA)

Jurisdiction: EAR
 Classification: EAR99
 This document contains technical data subject to the EAR.
 All trademarks are the property of their respective owners.
 ©2020 Carrier

This literature is provided for informational purposes only. KIDDE-FENWAL, INC. believes this data to be accurate, but it is published and presented without any guarantee or warranty whatsoever. KIDDE-FENWAL, INC. assumes no responsibility for the product's suitability for a particular application. The fire suppression system design, installation, maintenance, service and troubleshooting must be performed by trained, authorized Kidde Fire Systems distributors for the product to work correctly. If you need more information on this product, or if you have a particular problem or question, contact KIDDE-FENWAL, INC., Ashland, MA 01721 USA. Telephone: (508) 881-2000.

Kidde Fire Systems
 400 Main Street
 Ashland, MA 01721
 Ph: 508.881.2000
 Fax: 508.881.8920
kiddefiresystems.com